

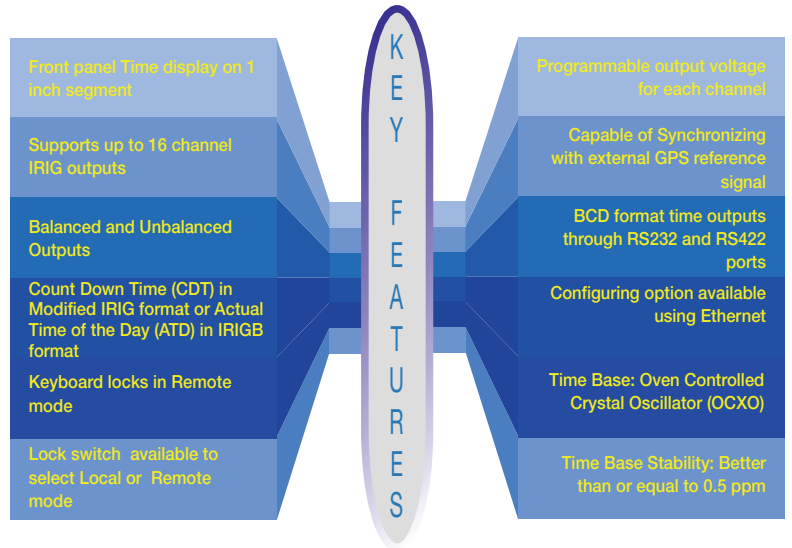
PARK CDTG - 18

Count Down Time Generator

Overview

The PARK CDTG-18 2U Standalone unit is a portable, compact count down time generator. This unit is used generate time in IRIG-B format and ASCII format through Ethernet, RS232 and RS422.

It is capable to work as simple IRIG-B reader in ATD mode. In CDT mode unit is able to synchronize with external PPS or IRIG-B input. Unit provides 16 channels of IRIG outputs through BNC. Out of 16 outputs 8 outputs is Balanced and 8 outputs is unbalanced.



Applications

Suitable for launch applications

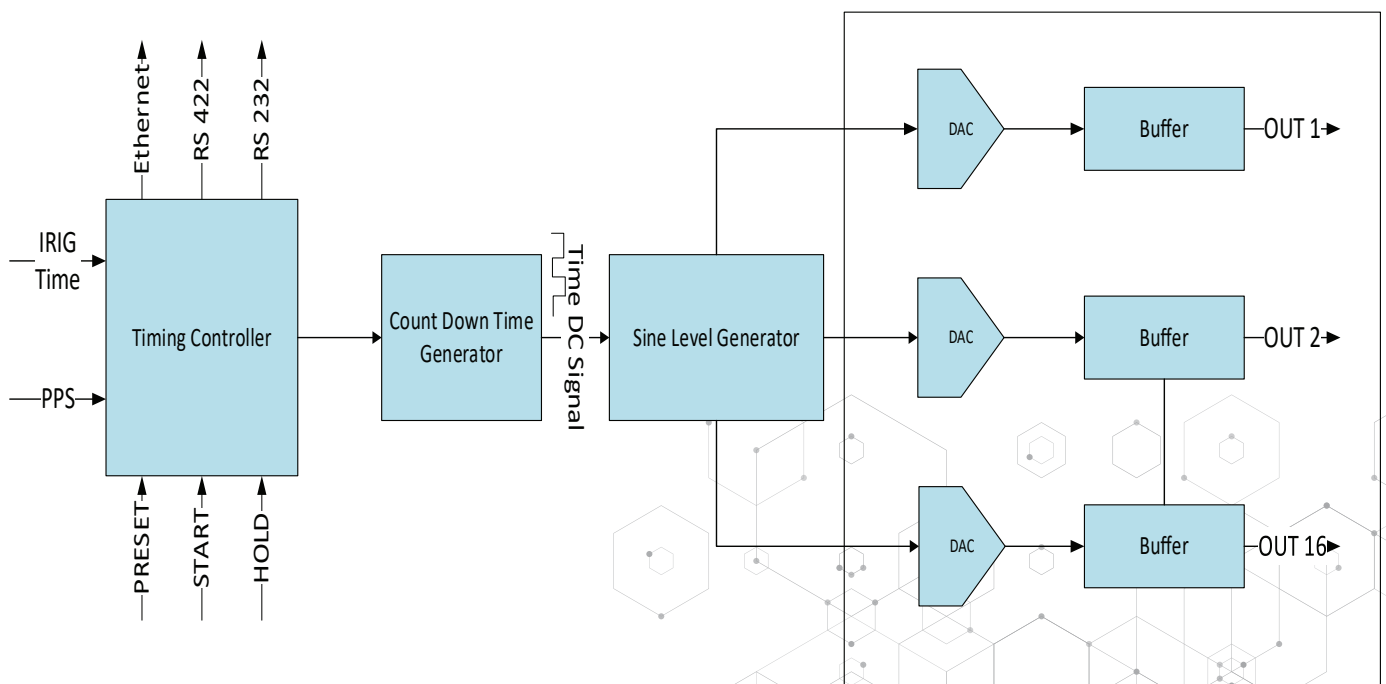


Figure 1 : Functional Block Diagram

PARK CDTG - 18

Count Down Time Generator

Physical Characteristics

PARAMETER	DIMENSION
Height	2U rack height
Width	19 " rack mountable
Depth	19 " Normal

Operating Environments

PARAMETER	SPECIFICATION
Temperature	0 to +50°C
Voltage	120 V to 240 V AC
Frequency	50 / 60 Hz
Power	80 watts

Control Options

PARAMETER	REMARKS
Front Panel	
Time Setting	Keypad
ATD/CDT	Toggle switch
Controls	Push button switches for HOLD, RUN, PRESET Commands and Key for Local or Remote Control
Remote Controls	
Ethernet	HOLD,PRESET and RUN
RS232	HOLD,PRESET and RUN
Front Panel Display	6 Digits, 7 Segment RED LED
Segment Height	1 "
Format	XXX :HH:MM:SS XXX : in CDT Status : in ATD Day
LED Indicators	HOLD,PPS,UP,DOWN,CDT,ATD,IRIG and External PPS
OLED Display	20 x 4 Character Display
Time Setting	From -99:59:00 to +99:59:00 using front panel
Second Field	59 Seconds STD , 99 Second Optional
Hold and Run control	Front panel push button Ethernet Commands RS 232 Commands

IRIGB Outputs

PARAMETER	REMARKS
No. of Modulated O/P	Up to 16 Outputs
Format	IRIG-B Format for ATD, Modified IRIG-B format for CDT
Modulation Ratio	Adjustable at from 2:1, 3:1, and 4:1
Carrier frequency	1 kHz Sine Wave
Output level	Adjustable from 0.5v to 10.0v Peak to Peak. Through front panel control
Output coupling	Up to 8 Un-balanced output, Up to 8 Transformer coupled Balanced outputs
Output Impedance	5 Ω \ 50 Ω (Direct coupling), 600 Ω (Transformer coupling)

PARK CDTG - 18

Count Down Time Generator

Interface Options



Figure 2 : Front Panel



Figure 3 : Rear Panel

PARAMETER	REMARKS
Ethernet	
No. of ports	2, 10/100 Base-T
Address setting	Using Keypad
Interface	Unicast, Multicast modes
Data Format	CDT -> CDT UR/UH HH MM SS mmm OR U/D/H HH MM SS ATD -> ATD YYYY DDD HH MM SS mmm OR U HH MM SS
RS-422 Output Interface	
RS-422 Interface	115200 baud/sec
Data Format	CDT -> UR/UH HH MM SS mmm ATD -> YYYY DDD HH MM SS mmm
RS-232 Output Interface	
RS-232 Interface	115200 baud/sec
Data Format	CDT -> UR/UH HH MM SS mmm ATD -> YYYY DDD HH MM SS mmm
Rear Panel Interfaces	
IRIG-B Modulated Time Code Output (BNC)	Up to 16 nos
RS-232 Output	1
RS-422 Output	1
RJ-45 Ethernet port	1
External Hold and Run Inputs	Through D-type connector

PARK CDTG - 18

Count Down Time Generator

Ordering Information

Unit Part Number	Module Description
PARK CDTG-0404-18	CDTG with 4 balanced and 4 Unbalanced IRIG outputs
PARK CDTG-0808-18	CDTG with 8 balanced and 8 Unbalanced IRIG outputs
PARK CDTG-0008-18	CDTG with 8 Unbalanced IRIG outputs
PARK CDTG-0800-18	CDTG with 8 balanced IRIG outputs
PARK CDTG-0016-18	CDTG with 16 Unbalanced IRIG outputs

Supporting software

SOFTWARE	Details
PCC Remote Config	GUI based software to SET/PRESET/HOLD/START